



Installation Guide

INDEX

Getting Started

About Arctic Anchors

Safety Precautions

Tools and Materials Required

Preparing the Roof for Installation

Layout and Spacing Guidelines

Installation

Mechanical Installation

Arctic Anchor

Arctic Anchor Mini

Adhesive Installation

Arctic Anchor

Arctic Anchor Mini

Final Steps and Support

Post-Installation

Testing Report

Getting Started

About Arctic Anchors

Arctic Anchors revolutionizes the snow guard industry with innovative designs crafted from a proprietary blend of PA66 and UV stabilizers. Our products are engineered for superior durability and performance, ensuring reliable protection against sliding snow and ice. By combining cutting-edge materials with meticulous design, Arctic Anchors offers unmatched quality and effectiveness, setting a new standard in rooftop safety.

Safety Precautions

- Ensure roof surfaces are dry and clean before starting.
- Avoid working in extreme weather conditions.
- Use appropriate safety gear, including harnesses and non-slip footwear.
- Ensure the roof is stable and can support the weight of installers and tools.
- Avoid working in high winds, heavy rain, snow, or during a lightning storm.
- Secure all tools and materials to prevent them from falling off the roof and causing injury.
- Keep the work area clean and free of obstacles to prevent tripping or slipping.
- Always work with a partner when possible.
- Be aware of electrical hazards from overhead power lines.

Getting Started

Tools and Materials Required

Common Tools for All Products

- Power drill with appropriate bits
- Measuring tape
- Chalk line
- Isopropyl alcohol (for cleaning surfaces)
- 8mm Ratchet Socket

For Arctic Anchor and Arctic Anchor Mini

- #10 neoprene washer, self-tapping screws
- Suitable bonding adhesive

Preparing the Roof for Installation

Cleaning the Roof Surface

- Surface Preparation: Clean the area where the snow guards will be installed using isopropyl alcohol. Ensure the surface is dry and free of debris.

Marking Installation Points

- Chalk Line Marking: Use a chalk line to mark the positions for the snow guards, ensuring even spacing.

Ensuring Roof Integrity

- Roof Inspection: Check the roof for any damage or weak spots and repair them before installation.

Getting Started

Layout and Spacing Guidelines

General Layout Principles

To get precise spacing calculations for your roof, scan the QR code to access our Arctic Anchor Spacing Calculator. Follow these general guidelines to understand the layout principles

Spacing varies based on the roof pitch. Refer to our calculator for accurate measurements.

By scanning the QR code, users can access the Arctic Anchor Spacing Calculator, which provides precise measurements tailored to their specific roof pitch and dimensions. Our calculator also suggest how many Arctic Anchor Snow Guards you will need for your project.

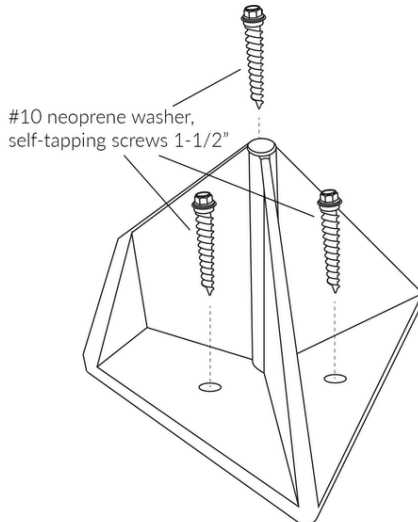
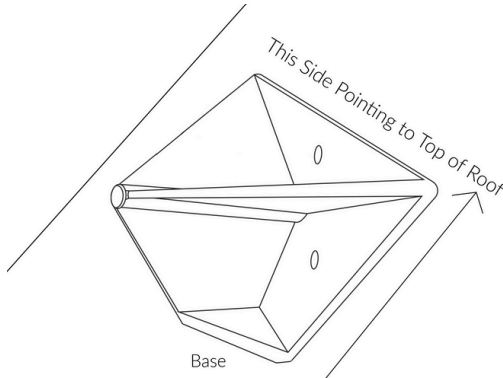


Installation

Mechanical Installation

Arctic Anchor

1. Ensure the Arctic Anchor is oriented correctly, with the wider side facing upward to hold the snow.
2. Position the snow guard at the marked location.
3. Insert the 3, #10 neoprene washer, self-tapping screws through the pre-drilled holes.
4. Secure the screws into the roof, ensuring they are tightly fastened but not over-tightened to avoid damage.

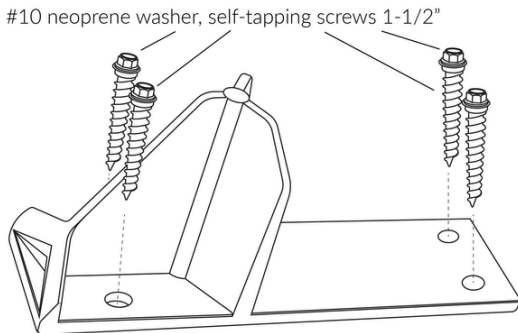
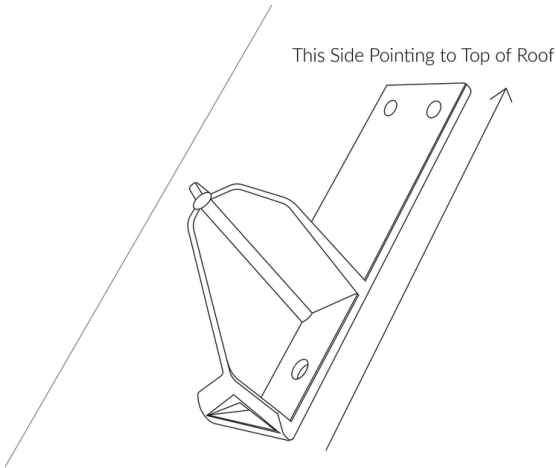


Installation

Mechanical Installation

Arctic Anchor Mini

1. Ensure the Arctic Anchor is oriented correctly, with the longer base facing upward to hold the snow.
2. Position the snow guard at the marked location.
3. Insert the 4, #10 neoprene washer, self-tapping screws through the pre-drilled holes.
4. Secure the screws into the roof, ensuring they are tightly fastened but not over-tightened to avoid damage.



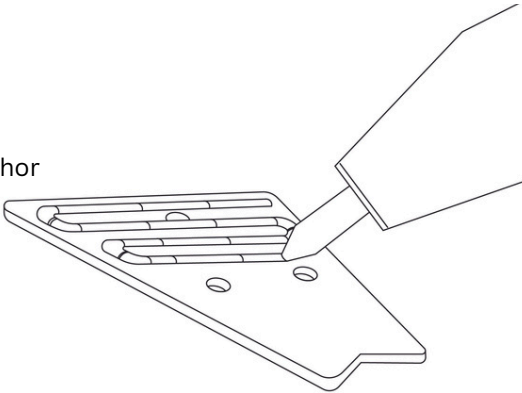
Installation

Adhesive Installation

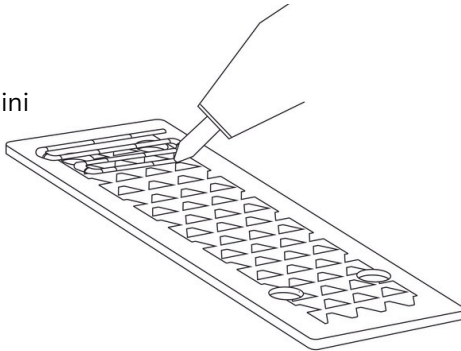
Arctic Anchor & Arctic Anchor Mini

1. Apply a generous amount of bonding adhesive to the underside of the snow guard.
2. Press the snow guard firmly onto the marked location, ensuring adhesive squeezes out from all edges.
3. Allow the adhesive to cure as per the manufacturer's instructions before subjecting the snow guards to any load.

Arctic Anchor



Arctic Anchor Mini



Post-Installation

Inspecting Your Work

- Ensure all snow guards are securely fastened and adhesive is properly cured.
- Check for any signs of misalignment or improper spacing.

Maintenance Tips

- Regularly inspect the snow guards for any signs of wear or damage.
- Clean the snow guards and roof surface periodically to ensure longevity.
- Reapply adhesive or tighten screws if any snow guards become loose over time.

Troubleshooting Common Issues

- Loose Snow Guards: Check screw tightness or adhesive bond.
- Misalignment: Reposition and re-secure as needed.
- Weather-Related Issues: Inspect after severe weather for any potential damage or displacement.

Testing

- All Arctic Anchor Snow Guards are SGS and 3rd Party Tested.

